
12-inch Aluminum Pedestrian Signal



Features

- Meets or exceeds ITE specifications.
- Design provides minimum weight but maximum rigidity and strength.

Housing

One piece die-cast unit with serrations in 5° increments at each end. Each housing has provisions for mounting two terminal blocks. Housings may be fastened together to make multi-section signals.

Door

One piece die-cast aluminum unit equipped with stainless steel hinge pins. Two stainless steel captive eye bolts and wing nuts permit easy access to the inside of the housing.

Visor

One piece formed aluminum visor is secured with stainless steel hardware. Cutaway and tunnel visors are available.

Gaskets

Weather-tight quality of the unit is assured by separate lens and door gaskets.

Positive Positioning

Positive positioning and locking is achieved through the use of serrated brackets.

Mounting

Completely compatible with all standard signal hardware.

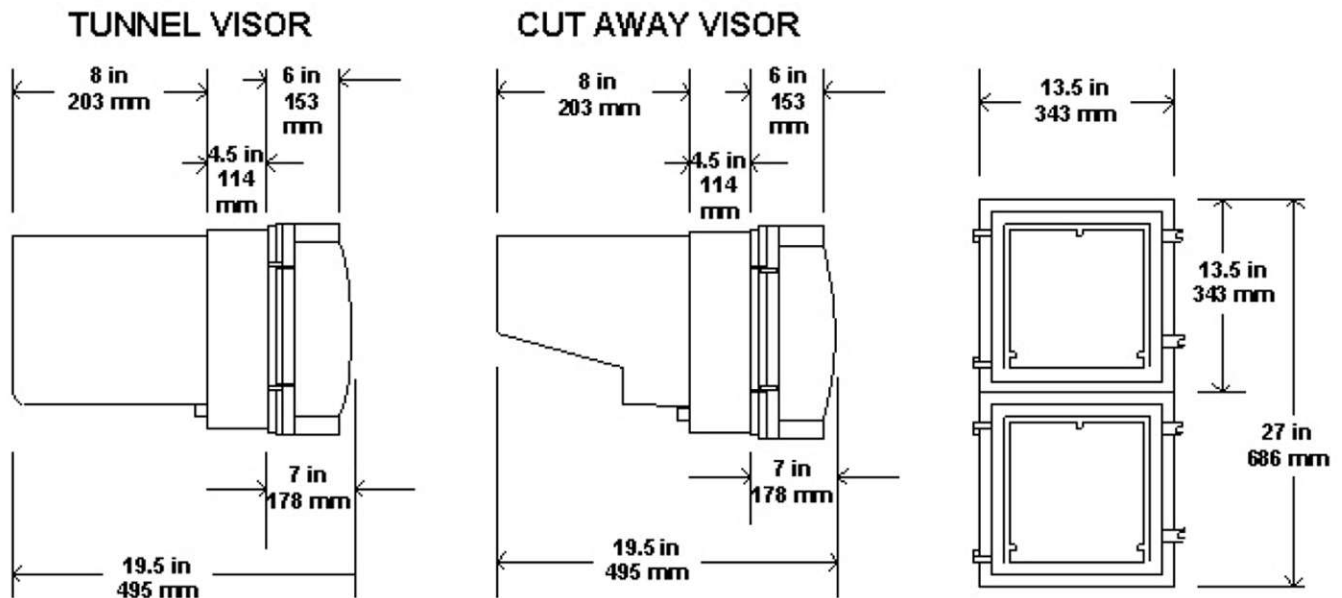


Eagle Traffic Control Systems continues our 80+ year history of providing excellence in the ever evolving traffic industry. All of Eagle's products are developed with the highest standards of engineering and manufacturing. Eagle maintains a superior level of integrity in interactions with all of our business partners and customers. We also take tremendous pride in being model corporate citizens.

12-inch Aluminum Pedestrian Signal



EAGLE[®]
Traffic Control Systems



Weights	12" (300 mm)
Single Section with Visor	14 lbs. (6.35 kg)
Housing	5 lbs. 6.3 oz. (2.45 kg)
Door	4 lbs. 0.4 oz. (1.83 kg)